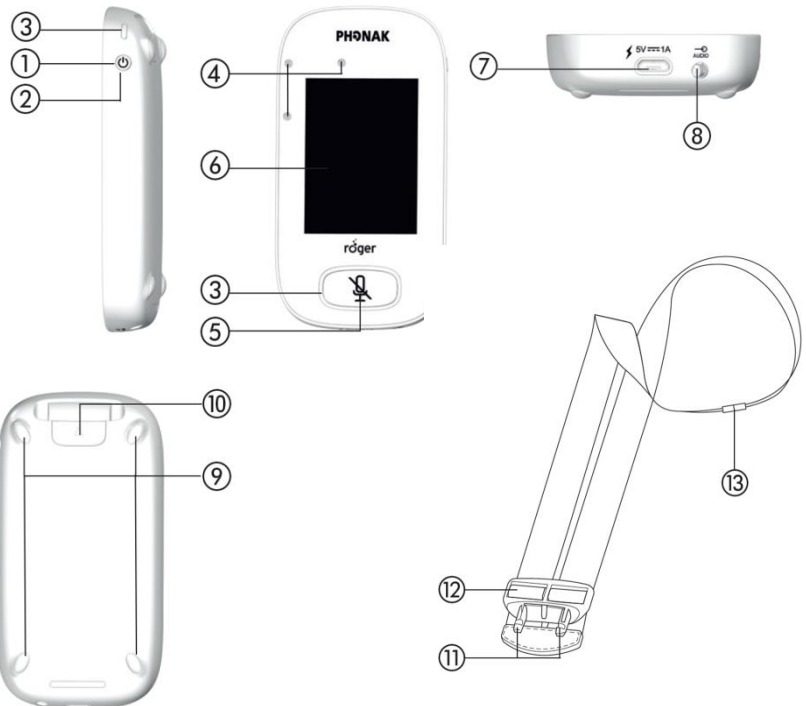


The intuitive interface makes Roger SF Touchscreen Mic simple to use in the classroom. Roger SF Touchscreen Mic is a wireless microphone designed solely for use with a Roger SoundField loudspeaker. A Roger SoundField system consists of one or more Roger DigiMaster loudspeakers and one or more Roger microphones.

## Description



- 1 On/Off
- 2 Wake/sleep
- 3 Indicator light
- 4 Microphones
- 5 Mute
- 6 Touchscreen
- 7 Micro-USB
- 8 Jack 3.5mm / 1/8"
- 9 Feet
- 10 Lanyard removal button
- 11 Lanyard clip
- 12 Length adjustment
- 13 Safety breakaway



## Features

### Usability

- Touchscreen
- Intuitive icons for quick access to Roger function
- Easy swipe technology to scroll through menu
- Indicator lights
- Obvious On/Off and Mute status indication

### Loudspeaker

- Operates with Roger DigiMaster loudspeakers
- Operates with Roger DigiMaster X devices

### MultiTalker Network

- Co-teacher microphones
- Students pass-around microphones
- Roger Multimedia Hub

## General information

Dimension (L x W x H) :	104 x 55 x 16 mm (4.1" x 2.1" x 0.6")
Weight:	94 g (0.2 lbs.)
Color:	Black
Operating conditions:	0° to + 45° Celsius (+32° to +113° Fahrenheit) and relative humidity of <95% (non- condensing)
Transport and storage conditions:	-20° to +60° Celsius (-4° to +140° Fahrenheit) and relative humidity of 90% for a long period



## Compatibility to Roger devices

Compatible Roger SoundField:	Roger DigiMaster 5000, Roger DigiMaster 7000 , Roger DigiMaster X (software version 4.x or higher)
Number of Roger SoundField in use in a network:	1x Roger DigiMaster 5000 2x Roger DigiMaster 7000 5x Roger DigiMaster X
Compatible Roger microphones:	Roger SF Touchscreen Mic, Roger Pass-around, Roger inspiro SoundField*  * some new features for Roger SF Touchscreen Mic might not be available on previous Roger microphones
Number of Roger microphones in use in a Roger network:	Up to 35
Compatible Roger hub:	Roger Multimedia Hub Roger inspiro audioHub*  * some new features for Roger SF Touchscreen Mic might not be available with previous Roger Hub

## Microphones information

Number of microphones:	3 embedded microphones
Type:	3-array microphone
Mode:	Lanyard

## Usage information

Touchscreen:	6.1 cm (2.4") color touchscreen. User interface to activate/deactivate functions
Wearing option:	Lanyard worn around neck
Lanyard :	- Clip to easily clip or remove the device from the lanyard - Clip to adjust length and place the device 20cm (8") away from the talker mouth - Safety breakaway

## Audio information

Audio input and output:	Wired (3.5mm jack)
Audio bandwidth:	100 Hz - 7.3 kHz

## Roger information

Roger:	Roger is the digital standard that bridges the understanding gap, in noise and over distance, by wirelessly transmitting the speaker's voice directly to the listener
Transmission technology:	2.4 GHz including adaptive frequency hopping
Power emission:	100 mW
Operating range to Roger receiver:	20 m (66 ft)
Operating range for Connect feature:	10 cm (4")

## Battery information

Battery:	Lithium polymer 3.7 V DC
Charging time:	Approx. 2 hours Charging time depends on battery state
Capacity:	1200 mAh
Operating time:	Approx. 10 hours Remaining operating time is displayed in the status bar
Charging input:	Input: 100 - 240 V Output: 5 VDC/1A Connector: Micro-USB Cable length: 1.3 m (4.2 feet) (charging or connection to computer for upgrade, service)

The battery cannot be over-charged. It may become warm during charging

Important notice: It is recommended to only use the original Phonak charging unit

## Accessories

Charging rack (L x W x H):	188 x 75 x 28 mm (7.4" x 2.9" x 1.1") 4-slots design to charge up to 4 devices together. It accommodates Roger SF Touchscreen Mic, Roger Pass-around, Roger Multimedia Hub, Roger Repeater
Boom microphone:	Head worn boom microphone for Roger SF Touchscreen Mic
Carry-on case :	Designed for Roger SF Touchscreen Mic
Belt clip:	Belt clip for Roger SF Touchscreen Mic
Power supply adapter :	UK, AUS

## Standards applied

Electrical safety:	IEC/ EN 60950-1
Radiocom 2.4 GHz:	EN 300 328
EMC:	EN 301.489-1,-3,-9,-17
SAR (2.4 GHz):	EN 50566 SAR 10g = 0.399 W/kg



PHONAK